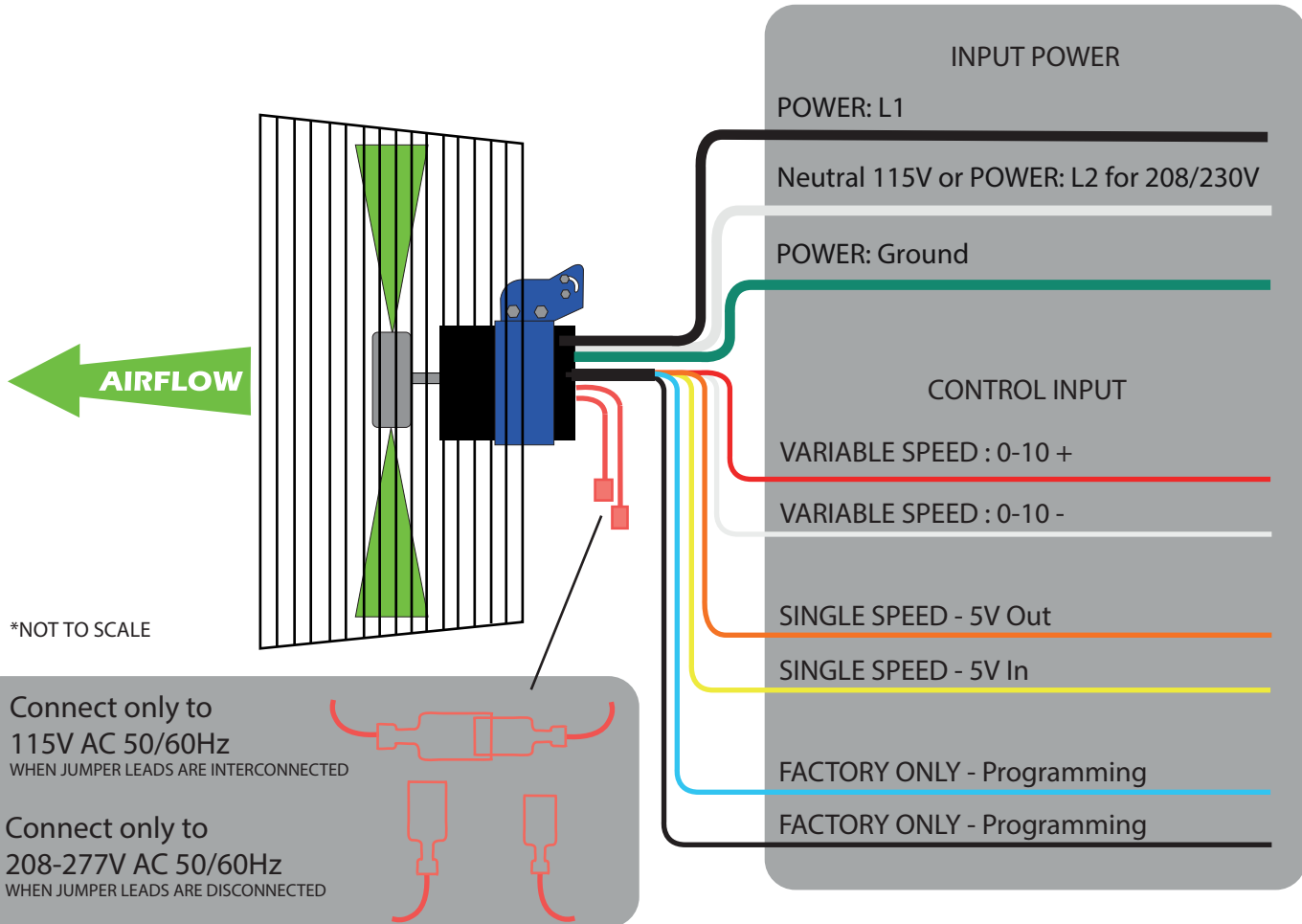


# 115-208/230 VOLT 50/60HZ EC20 MAX AC SNAP-FAN WIRING INSTRUCTIONS



Only a qualified and licensed electrician or contractor should install or service Snap-Fan products. If someone other than a licensed electrician installs a Snap-Fan, Snap-Fan disclaims all warranties for the product, and specifically disclaims any warranty for consequential damages.



1. Ensure the motor's voltage selection jumper leads are in the correct configuration for your power supply. Interconnect the motor's jumper leads for connection to 115V input voltage supply. Keep the jumper leads disconnected for connection to 208-277V input voltage supply.
2. Connect fan's power leads to power source of appropriate voltage. The EC20 Max fan remains wired to power. The fan will only draw power and run when one of the following modes is selected.
3. To run fan at factory programmed max speed connect 5V Out (Orange Wire) to 5V In (Yellow Wire). To Run fan at factory programmed half speed connect 5V Out (Orange Wire) to 10V In (Red Wire).
4. To run fan using variable speed control:  
Connect only the red and white signal wires to 0-10V control signal.
5. Use a wire nut or electrical tape to seal off any unused wires.

## Safety Information



All applicable electrical safety precautions and building codes must be adhered to and followed when installing this product. Occupational Safety and Health Administration (OSHA) requires bottom of fan blade must be at least 7 ft from floor. Refer to installation and operation manuals before installing, servicing or operating this unit.