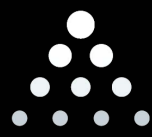


HIGH EFFICIENCY AC POWERED VENTURI FANS

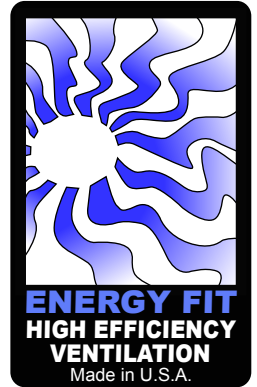


FOGCO



ENERGY FIT 5035 CFM 20" HP AC EC BRUSHLESS FAN

- High Performance (HP) Line, more power and more air than our standard 20" Snap-Fan.
- 30-70% more efficient than competing fans.
- High efficiency industrial grade Electronically Commutated Motor. 100-277 VAC 50/60 Hz.
- Motor made in USA. Water resistant, O-ring seals, IP54.
- Includes liquid tight conduit 5ft lead wires.
- Programmable motor can be set to run at a discrete speed from 350-1800 RPM and/or 0-10v controlled variable speed.
- Soft start, thermal roll back and locked rotor protection are standard features.
- Custom configuration options to fit your application.
- Patented low vibration aerodynamic motor mounting system reduces noise and improves efficiency.
- Glass reinforced polypropylene airfoil blade offers high efficiency and durability.
- Rugged corrosion resistant frame molded to maximize airflow.
- All parts serviceable and/or replaceable.
- Warranty of 5 years against parts and labor.



SNAP-FAN 12" / 16" / 20" / 24"

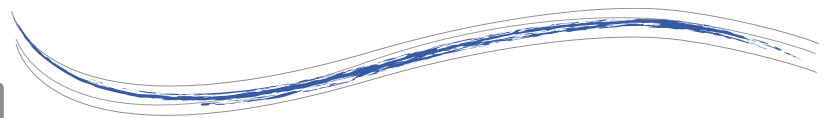
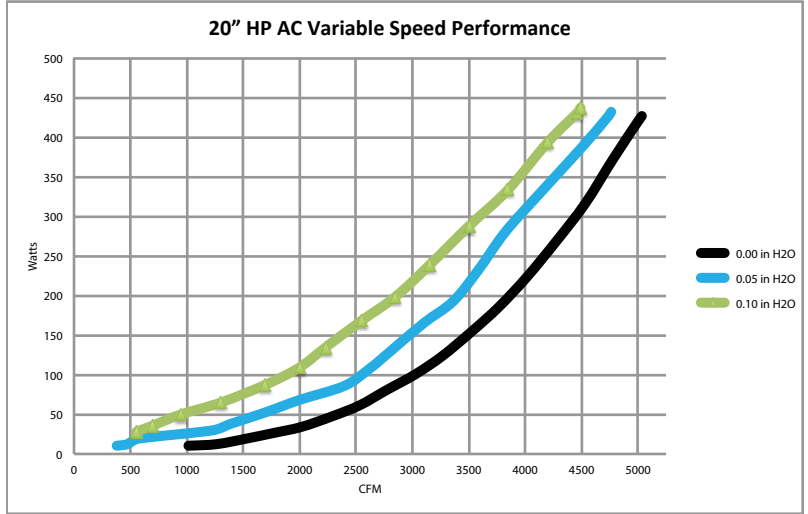
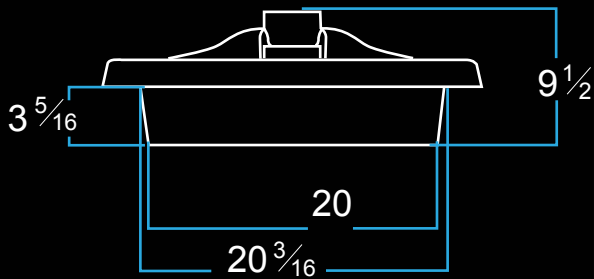
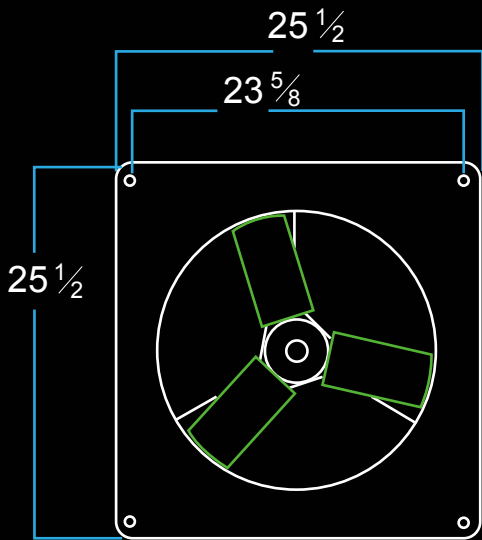
Fogco
600 S. 56th Street, Suite #9
Chandler, AZ 85226

T: (800) 607-6478
E: info@snap-fan.com
W: snap-fan.com



20" HP AC EC BRUSHLESS FAN

120 VAC	STATIC PRESSURE (IN H2O)	AIRFLOW (CFM)	RPM	AMPS	WATTS	CFM/WATT
Factory Default	0.00	5035	1803	5.65	427	11.8
	0.05	4783	1767	5.70	431	11.1
	0.10	4496	1732	5.82	440	10.2



ELECTRICAL EQUIPMENT. CHECK WITH LOCAL BUILDING CODES AND YOUR LICENSED CONTRACTOR BEFORE INSTALLING.

- ### AC EC Brushless Motor Features
- Patented design
 - Uses 40% - 60% less energy than PSC motors
 - Cooler operating temperatures
 - Longer motor life
 - Reduced warranty returns
 - Locked rotor, overload, and thermal roll back protection
 - Integrated control with sealed construction
 - Durable ball bearing construction for long commercial life
 - UL & CSA recognized
 - Designed and assembled in the USA

HAND ASSEMBLED IN U.S.A.
BY FOGCO PATENTED DESIGN