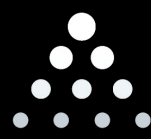


HIGH EFFICIENCY

DC POWERED VENTURI FANS



FOGCO



SOLAR DIRECT 5027 CFM 20" HP DC BRUSHLESS SOLAR FAN

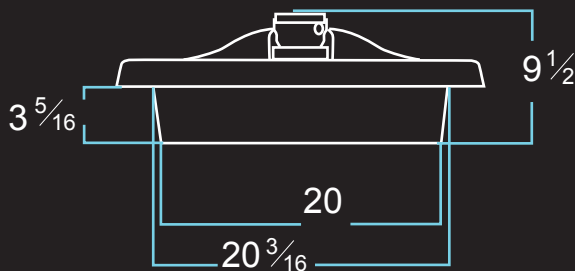
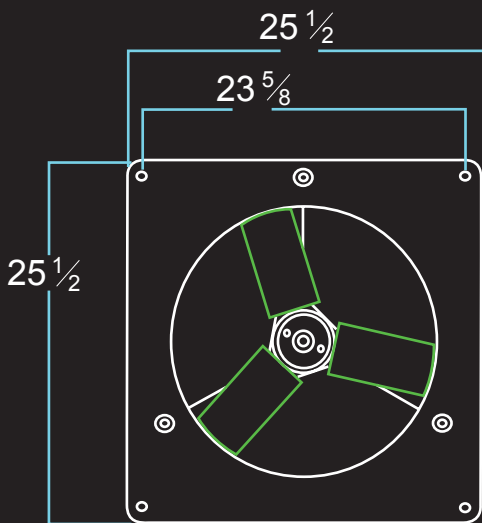
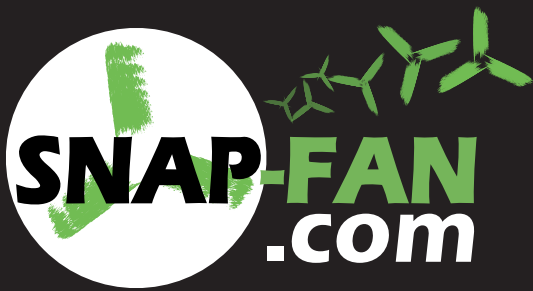
- High Performance (HP) Line, more power and more air than our standard 20" Snap-Fan.
- Three discrete speed taps for user selected performance.
- High efficiency industrial grade Brushless Servo Motor. 0-45 VDC.
- Motor made in USA. Water resistant O-ring seals IP54.
- Specifically designed to operate directly from a solar panel.
- Soft start, thermal roll back and locked rotor protection are standard features.
- Will operate on a 24 VDC battery bank.
- Patented low vibration aerodynamic motor mounting system reduces noise and improves efficiency.
- Enable/disable wire to start/stop using low amperage thermostat/switch.
- RPM limiting to 1800 RPM regardless of solar voltage.
- Includes liquid tight conduit 5ft lead wires.
- Glass reinforced polypropylene airfoil blade offers high efficiency and durability.
- All parts serviceable and/or replaceable.
- Warranty of 5 years against parts and labor.



SNAP-FAN 12" / 16" / 20" / 24"

Fogco
600 S. 56th Street, Suite #9
Chandler, AZ 85226

T: (800) 607-6478
E: info@snap-fan.com
W: snap-fan.com



ELECTRICAL EQUIPMENT. CHECK WITH LOCAL BUILDING CODES AND YOUR LICENSED CONTRACTOR BEFORE INSTALLING.

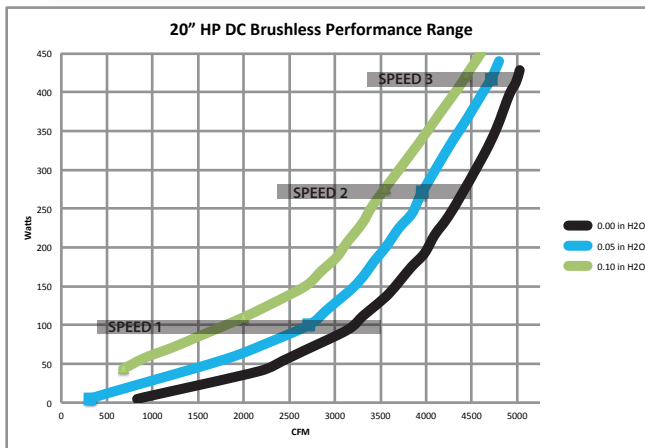
**HAND ASSEMBLED IN U.S.A.
BY FOGCO PATENTED DESIGN**

20" HP DC BRUSHLESS SOLAR FAN

SOLAR DIRECT PERFORMANCE

	STATIC PRESSURE (IN H ₂ O)	AIRFLOW (CFM)	RPM	AMPS	WATTS	CFM/WATT
SPEED 3 requires at least 34 VDC	0.00	5027	1800	12.6	428	11.7
	0.05	4926	1759	12.7	432	11.4
	0.10	4828	1729	13.0	441	11.0
SPEED 2 requires at least 29.5 VDC	0.00	4468	1600	8.2	280	16.0
	0.05	4066	1567	8.5	288	14.1
	0.10	3781	1541	8.7	294	12.9
SPEED 1 requires at least 19.5 VDC	0.00	3142	1000	2.1	70	44.9
	0.05	2702	974	2.2	75	36.1
	0.10	2134	962	2.2	76	28.2

Table reflects operation at 34 volts



24v BATTERY PERFORMANCE

	STATIC PRESSURE (IN H ₂ O)	AIRFLOW (CFM)	RPM	AMPS	WATTS	CFM/WATT
SPEED 2	0.00	3726	1415	5.4	140	26.5
	0.05	3335	1415	5.5	142	23.5
	0.10	2892	1415	5.5	144	20.1
SPEED 1	0.00	2633	1000	2.1	55	48.2
	0.05	2069	1000	2.2	56	36.7
	0.10	1599	1000	2.1	56	28.8

DC Brushless Motor Features

- Patented design
- Uses 40% - 60% less energy than PSC motors
- Cooler operating temperatures
- Longer motor life
- Reduced warranty returns
- Locked rotor, overload, and thermal roll back protection
- Integrated control with sealed construction
- Durable ball bearing construction for long commercial life
- UL & CSA recognized
- Designed and assembled in the USA