

ASSEMBLY INSTRUCTION SHEET WALL SHUTTER MOTOR

For Single Panel Shutter 14 Thru 30 Inch
For Use With Snap-Fans 12 Thru 28 Inch

READ INSTRUCTIONS BELOW CAREFULLY BEFORE ATTEMPTING TO INSTALL, OPERATE OR SERVICE SHUTTER MOTOR. RETAIN INSTRUCTIONS FOR FUTURE REFERENCE.

The single panel exhaust shutter motor pack, model MTR-WS SP (part# 6912)
Field installation is required to convert gravity exhaust shutter to motorized operation.
This motor pack features power open spring close, which provides closure in the event of electrical failure.
This motor pack is equipped with motor, motor bracket, linkage and mounting hardware.

Installation instructions:

- 1 Fasten motor plate loosely to shutter frame. Mounting hole(s) located on frame bottom.
- 2 With shutter blades closed and motor arm in closed position, loosen adjustable extension arm connected to motor crankarm.
- 3 Connect adjustable extension arm to the shutter tie rod and tighten securely in a configuration that assures best alignment.
- 4 Tighten adjustable extension arm that was loosened in step (2) above.
- 5 Slide the motor bracket plate right or left to align linkage and motor crankarm along side of tie rod. Tighten motor bracket plate securely to frame.
- 6 Wire motor per Figure 4 following general safety information.

NOTE: Rotation limiter is factory set. Changing settings may damage actuator or shutter (See Figure 3).

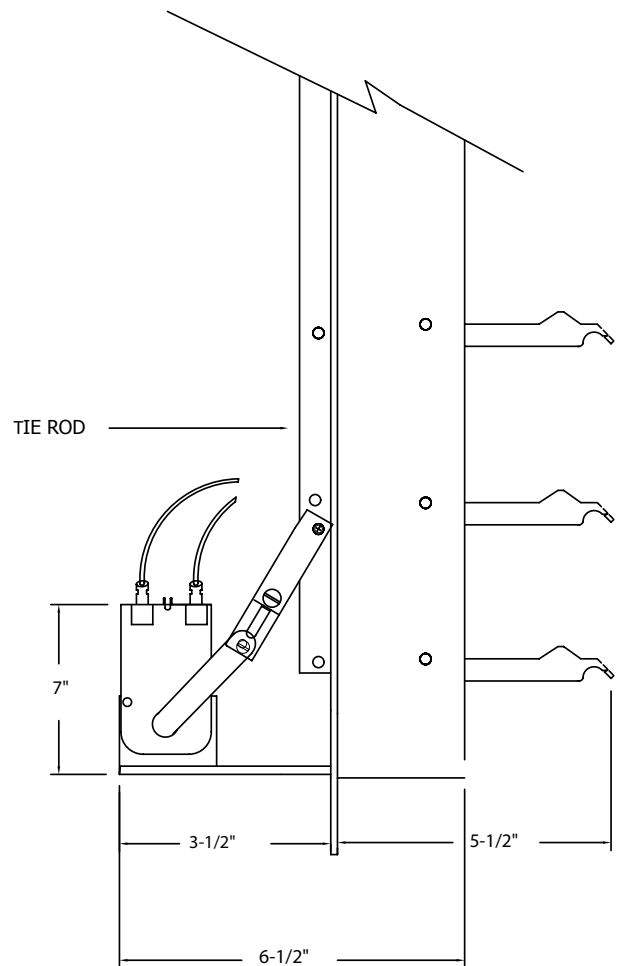


Figure 1 – Maximum Operating Dimensions

SPECIFICATIONS

Motor Pack (*) Part Number	Power Supply Required	Watts Run (Hold)
6912	100-240V, 50/60 Hz	2.5 (1.3)

(*) Motor is single-phase, continuous duty with a 50°C, (122°F) maximum ambient temperature (+) 1 SPDT, 3A (0.5A) @ 250 VAC.

MOTOR-PACK - For Single Panel Shutter 14 Thru 30 Inch - For Use With Snap-Fans 12 Thru 28 Inch

GENERAL SAFETY INFORMATION

1. Follow all local electrical and safety codes, as well as the National Electrical Code (NEC) and the Occupational Safety and Health Act (OSHA).
2. Motor must be securely and adequately grounded. This can be accomplished by wiring with a grounded, metal-clad raceway system, by using a separate ground wire connected to the green wire in the motor junction box.
3. Always disconnect power source before working on or near a motor or its connected load. If the power disconnect point is out-of-sight, lock it in the open position and tag to prevent unexpected application of power.
4. Protect the power cable from coming in contact with sharp objects.
5. Do not kink power cable and never allow the cable to come in contact with oil, grease, hot surfaces, or chemicals.
6. Make certain that the power source conforms to the requirements of your equipment.

REPLACEMENT PARTS LIST

Ref. No.	Description	Part No.	Qty.
1	100-240V,50/60Hz Motor	TF120-S	1 ea.
2	Motor Bracket	MBN064	1 ea.
3	Rotation Limiter	ZDB-TF	1 ea.
4	Crank Arm	831-LN	1 ea.
5	Linkage Arm	831-LN	1 ea.

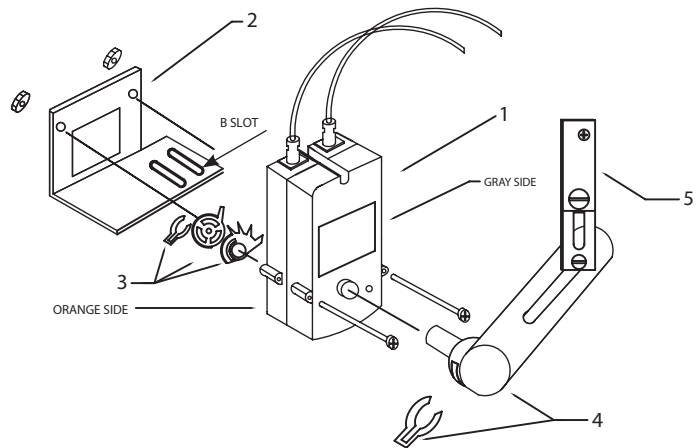


Figure 2 – Replacement Parts Diagram

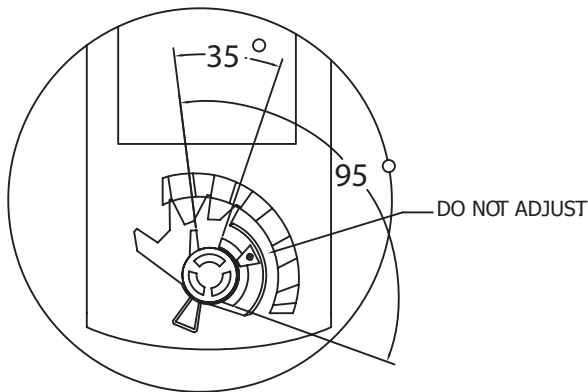


Figure 3 – Rotation Limiter

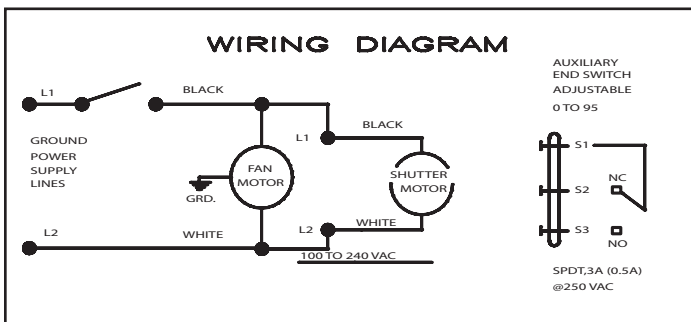


Figure 4 – Wiring Diagram – 100-240V, 50/60 Hz

LIMITED WARRANTY

All products manufactured are warranted by Solar National Air Propulsion (Snap-Fan) to be free from original defects in workmanship for a period of one year from date of shipment, under conditions of normal use and service. Snap-Fan will replace or repair any defective parts upon return to our plant, freight prepaid. This limited warranty will, in no way, include the payment of labor charges for field replacement of defective parts, installation, repairs of adjustments, or any other work done. Back charges will not be accepted for any reason unless Snap-Fan has given prior written permission, nor will Snap-Fan be responsible for consequential damages of any character, no limited warranty expressed or implied will supersede the foregoing.

MANUFACTURED FOR SOLAR NATIONAL AIR PROPULSION
PO Box 4461 Arcata, CA 95518
707 822 7627 snap-fan.com