

# HIGH EFFICIENCY

## AC POWERED VENTURI FANS



# SNAP-FAN

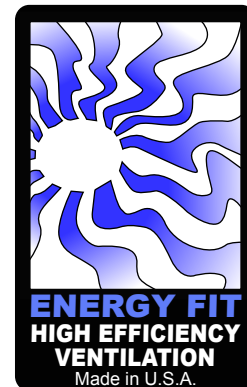
.COM



## ENERGY FIT 4805 CFM

### 24" AC EC BRUSHLESS FAN

- 30-70% more efficient than competing fans.
- High efficiency industrial grade Brushless Servo Motor. 120 VAC and 208/230 VAC.
- Motor made in USA. Water resistant, O-ring seals, IP54.
- Includes liquid tight conduit 5ft lead wires.
- Programmable motor can be set to run at a discrete speed from 350-1800 RPM and/or 0-10v controlled variable speed.
- Soft start, thermal roll back and locked rotor protection are standard features.
- Custom configuration options to fit your application.
- Patented low vibration aerodynamic motor mounting system reduces noise and improves efficiency.
- Glass reinforced polypropylene airfoil blade offers high efficiency and durability.
- Rugged corrosion resistant frame molded to maximize airflow.
- All parts serviceable and/or replaceable.
- Warranty of 2 years against parts and labor.



# SNAP-FAN 12" / 16" / 20" / 24" / 28"

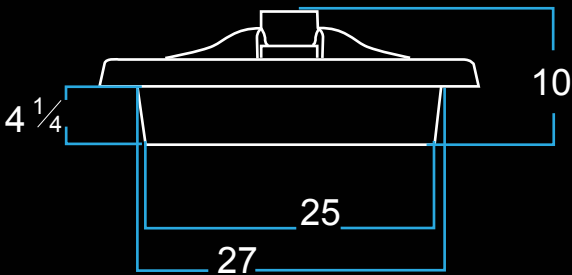
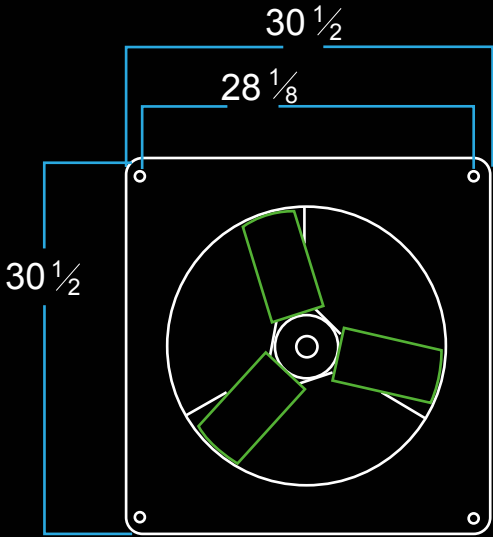
EFFICIENCY IN VENTILATION

WWW.SNAP-FAN.COM



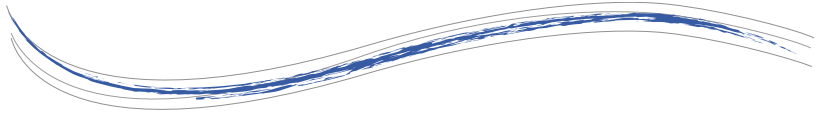
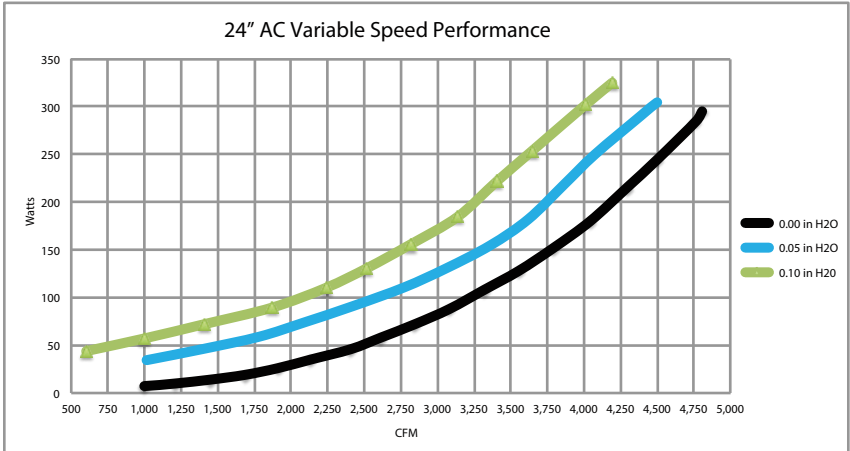
# 24" AC EC BRUSHLESS FAN

	STATIC PRESSURE (IN H2O)	AIRFLOW (CFM)	RPM	AMPS	WATTS	CFM/WATT
Factory Default	0.00	4805	1800	3.80	295	16.3
	0.05	4499	1800	3.94	300	15.0
	0.10	4192	1800	4.19	319	13.1



ELECTRICAL EQUIPMENT. CHECK WITH LOCAL BUILDING CODES AND YOUR LICENSED CONTRACTOR BEFORE INSTALLING.

HAND ASSEMBLED IN U.S.A.  
BY SOLAR NATIONAL AIR PROPULSION, LLC  
PATENTED DESIGN



- ### AC EC Brushless Motor Features
- Patented design
  - Uses 40% - 60% less energy than PSC motors
  - Cooler operating temperatures
  - Longer motor life
  - Reduced warranty returns
  - Locked rotor, overload, and thermal roll back protection
  - Integrated control with sealed construction
  - Durable ball bearing construction for long commercial life
  - UL & CSA recognized
  - Designed and assembled in the USA