

HIGH EFFICIENCY

DC POWERED VENTURI FANS



SOLAR DIRECT 1414 CFM 12" DC BRUSHLESS SOLAR FAN

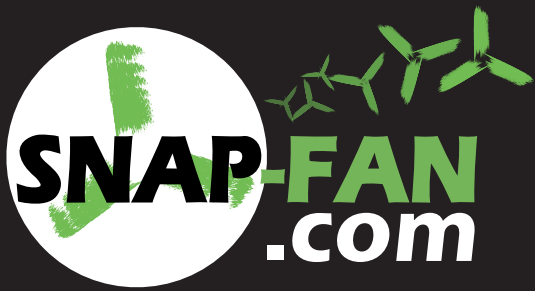
- High efficiency industrial grade Brushless Servo Motor. 0-50 VDC.
- Water resistant motor O-ring seals IP54.
- Specifically designed to operate solar direct on a 36, 60 or 72 cell solar panel.
- Soft start and thermal roll back locked rotor protection are standard features.
- Will operate on a 24 VDC battery bank.
- Patented low vibration aerodynamic motor mounting system reduces noise and improves efficiency.
- RPM limiting to 1800 RPM regardless of solar voltage.
- Glass reinforced polypropylene airfoil blade offers high efficiency and durability.
- All parts serviceable and/or replaceable.
- Warranty of 2 years against parts and labor.



SNAP-FAN 12" / 16" / 20" / 24" / 28"

EVOLUTION IN VENTILATION

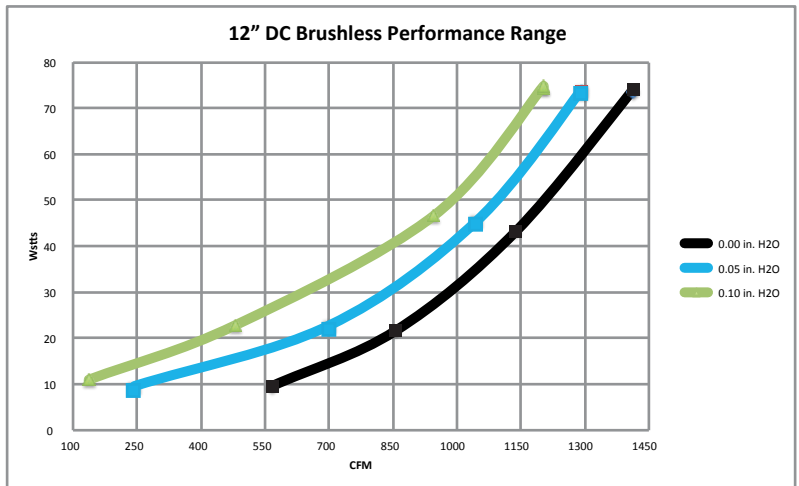
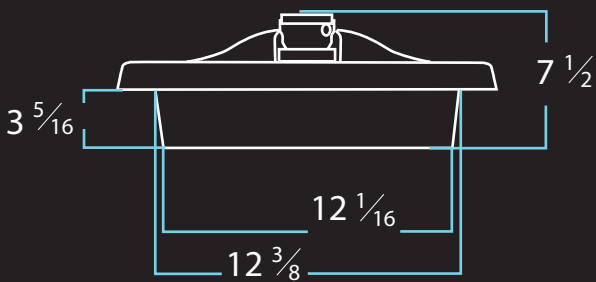
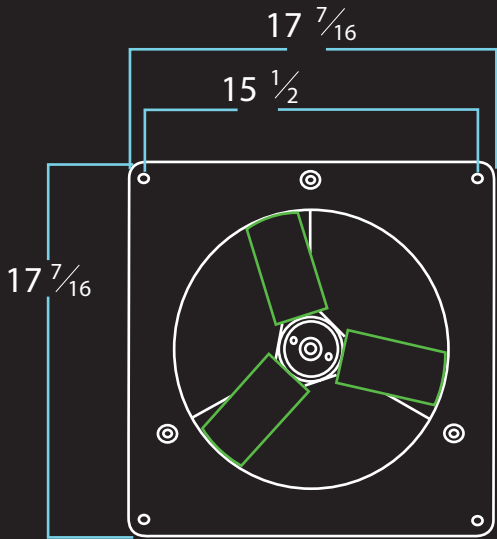
WWW.SNAP-FAN.COM



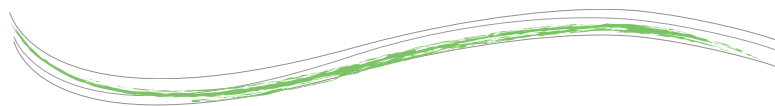
12" DC BRUSHLESS SOLAR FAN

SOLAR DIRECT PERFORMANCE

	STATIC PRESSURE (IN H2O)	AIRFLOW (CFM)	RPM	AMPS	WATTS	CFM/WATT
35 VDC	0.00	1414	1793	2.10	74	19.2
	0.05	1294	1754	2.10	74	17.6
	0.10	1203	1734	2.10	74	16.2
30 VDC	0.00	1414	1793	2.47	74	19.1
	0.05	1294	1754	2.47	74	17.5
	0.10	1203	1734	2.47	75	16.1
24 VDC	0.00	1138	1474	1.80	43	26.3
	0.05	1047	1458	1.89	46	23.0
	0.10	947	1446	1.92	47	20.3
18 VDC	0.00	856	1125	1.20	22	39.6
	0.05	701	1090	1.27	23	30.8
	0.10	371	1103	1.25	23	16.3
12 VDC	0.00	567	756	0.80	10	59.0
	0.05	244	744	0.84	10	25.4
	0.10	137	715	0.94	11	12.5



ELECTRICAL EQUIPMENT. CHECK WITH LOCAL BUILDING CODES AND YOUR LICENSED CONTRACTOR BEFORE INSTALLING.



**HAND ASSEMBLED IN U.S.A.
BY SOLAR NATIONAL AIR PROPULSION, LLC
PATENTED DESIGN**